

TNB-9000

8K сетевая корпусная камера



Key Features

- 43,3 мм полнокадровый КМОП-датчик изображения
- До 15 кад/с при 8K, 20 кад/с при 24Мп, 30 кад/с при 15 Мп, 60 кад/с при 4K
- Совместимость с объективом Canon EF mount
- Интеллектуальная видеоаналитика на основе ИИ (обнаружение/классификация объектов, атрибуты, BestShot)
- Видеовыход HDMI (1080p, 30 кад/с)
- H.265/H.264: базовое/высокое, MJPEG
- Один слот памяти Micro SD (до 256Гб)
- Поддержка технологии WiseStream II
- RJ-45, разъем SFP (100/1000 Мбит/с)
- PoE (IEEE802.3bt, Класс 5), 12 В пост. тока

Compatible Accessories (Optional)



SBP-300KMW



SBP-300NBW



SHB-9000H

Video	
Imaging Device	Diagonal 43.3mm Full-frame CMOS
Resolution	7680x4320, 7360x4128, 6016x3384, 6016x4008, 5472x3648, 4768x3184, 4608x2592, 3840x2160, 1920x1080, 1280x1024, 1280x960, 1280x720, 1024x768, 800x600, 800x448, 720x576, 720x480, 640x480, 640x360
Max. Framerate	H.265/H.264: 32MP(8K) @ Max. 15fps (Mode 0) H.265/H.264: 24MP @ Max. 20fps (Mode 1) H.265/H.264: 15MP @ Max. 30fps (Mode 2) H.265/H.264: 8MP(4K) @ Max. 60fps (Mode 3)
Min. Illumination	Color : 0.015Lux(F1.4, 1/30sec) B/W : 0.0015Lux(F1.4, 1/30sec)
Video Out	HDMI: 1080p@30/25fps (60/50Hz)
Lens	
Angular Field of View	Canon 24mm f1.4L, Auto-Iris (EF 24mm f/1.4L II USM) : Horizontal field of view: 8K 62.1° Canon 35mm f1.4L, Auto-Iris (EF 35mm f/1.4L II USM) : Horizontal field of view: 8K 44.5° Canon 50mm f1.4, Auto-Iris (EF 50mm f/1.4 USM) : Horizontal field of view: 8K 31.6° Canon 85mm f1.2L, Auto-Iris (EF 85mm f/1.2L II USM) : Horizontal field of view: 8K 19.2° Canon 100mm f2.0, Auto-Iris (EF 100mm f/2 USM) : Horizontal field of view: 8K 16.1° Canon 70-200mm f2.8L, Auto-Iris, Vari Focal (EF 70-200mm f/2.8L USM) : Horizontal field of view: 8K 23.2° ~ 8.3°
Focus Control	Simple focus
Lens Type	Canon EF mount Lens
Mount Type	Canon EF mount
Optional Lens	Canon 24mm f1.4L, Auto-Iris (EF 24mm f/1.4L II USM) Canon 35mm f1.4L, Auto-Iris (EF 35mm f/1.4L II USM) Canon 50mm f1.4, Auto-Iris (EF 50mm f/1.4 USM) Canon 85mm f1.2L, Auto-Iris (EF 85mm f/1.2L II USM) Canon 100mm f2.0, Auto-Iris (EF 100mm f/2 USM) Canon 70-200mm f2.8L, Auto-Iris, Vari Focal (EF 70-200mm f/2.8L USM)
Operational	
Camera Title	Displayed up to 75 characters
Day & Night	Auto(ICR)
Backlight Compensation	BLC, DWDR
Digital Noise Reduction	SSNR V
Motion Detection	8ea, 8point polygonal zones (in 32MP(8K) resolution only)
Privacy Masking	6ea, Rectangular - Color: Grey/Black/White
Gain Control	Low / Middle / High
White Balance	ATW / AWC / Manual / Indoor / Outdoor
Electronic Shutter Speed	Minimum / Maximum / Anti flicker (1/5 ~ 1/12,000sec)
Analytics	- Classified object type : Person/Face/Vehicle/License plate with attributes, BestShot per object - Analytics events based on AI engine : object detection, Directional detection, Enter/Exit, Loitering, Virtual line - Analytics events : Defocus detection, Motion detection, Appear/Disappear, Tampering, Audio detection, Sound classification
Serial Interface	RS-485(Samsung-T, Pelco-D/P)

Alarm I/O	Input 1ea / Output 1ea
Alarm Triggers	Analytics, Network disconnect, Alarm input
Alarm Events	File upload via FTP and e-mail Notification via e-mail SD/SDHC/SDXC or NAS recording at event triggers Alarm output Handover
Audio In	Selectable(mic in/line in) Supply voltage: 2.5VDC(4mA), Input impedance: 2K Ohm
Audio Out	Line out, Max.output level: 1Vrms
Network	
Ethernet	Metal shielded RJ-45(10/100/1000 BASE-T), SFP slot(100/1000Mbps)
Video Compression	H.265/H.264: Main/High, MJPEG
Audio Compression	G.711 u-law /G.726 Selectable G.726(ADPCM) 8KHz, G.711 8KHz G.726: 16Kbps, 24Kbps, 32Kbps, 40Kbps AAC-LC: 48Kbps at 16KHz
Smart Codec	Manual(5ea area), WiseStream II
Bitrate Control	H.264/H.265: CBR or VBR MJPEG: VBR
Streaming	Unicast(6 users) / Multicast Multiple streaming(Up to 3 profiles)
Protocol	IPv4, IPv6, TCP/IP, UDP/IP, RTP(UDP), RTP(TCP), RTCP,RTSP, NTP, HTTP, HTTPS, SSL/TLS, DHCP, FTP, SMTP, ICMP, IGMP, SNMPv1/v2c/v3(MIB-2), ARP, DNS, DDNS, QoS, UPnP, Bonjour, LLDP
Security	HTTPS(SSL) Login Authentication Digest Login Authentication IP Address Filtering User access log 802.1X Authentication(EAP-TLS, EAP-LEAP) Device Certificate(Hanwha Techwin Root CA)
Application Programming Interface	ONVIF Profile S/G/T SUNAPI(HTTP API)
General	
Webpage Language	English, Korean, Chinese, French, Italian, Spanish, German, Japanese, Russian, Swedish,, Portuguese, Czech, Polish, Turkish, Dutch, Hungarian, Greek
Edge Storage	Micro SD/SDHC/SDXC 1slot 256MB
Memory	4096MB RAM, 512MB Flash
Environmental & Electrical	
Operating Temperature / Humidity	0°C ~ +45°C(32°F ~ +122°F) / Less than 90% RH
Storage Temperature / Humidity	-40°C ~ +65°C(-40°F ~ +140°F) / Less than 90% RH
Certification	Safety(UL 60950-1), EMC(FCC, CE, KC) EN 50130-4, EN 55032 Class A, EN 61000-6-3, EN 61000-3-2, EN 61000-3-3, EN 61000-6-1, FCC Part 15 Subpart B Class A, IC ICES-003 Class A
Input Voltage	HPoE(IEEE802.3bt, Class5), 12VDC

Power Consumption	PoE: Max 30W, typical 20W 12VDC: Max 26W, typical 18W
--------------------------	--

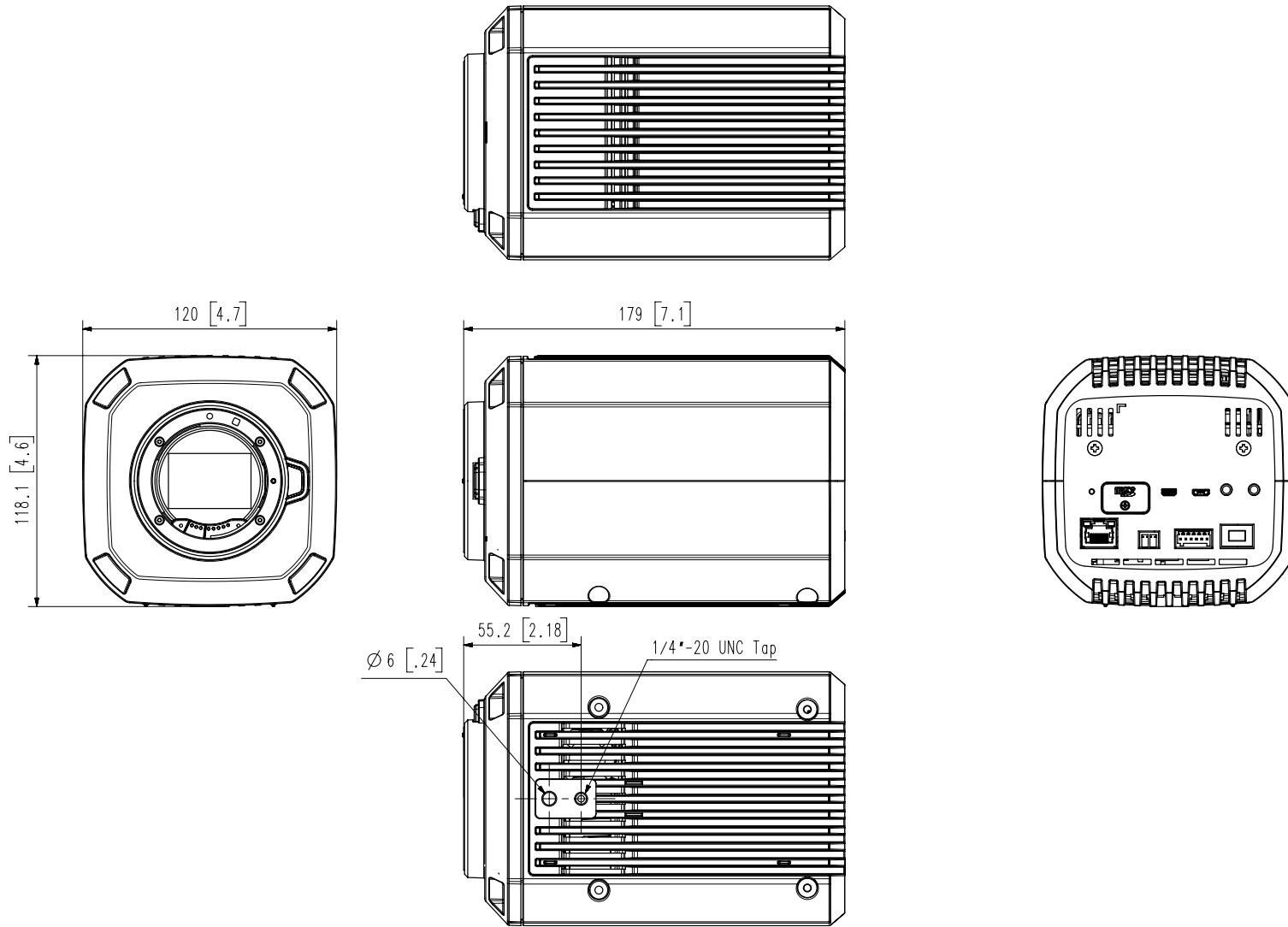
Mechanical

Color / Material	Black / Aluminum
Product Dimensions / Weight	120(W)x118.1(H)x179(D)mm, 2.1Kg(4.55 lb)

- The latest product information / specification can be found at hanwha-security.com
- Design and specifications are subject to change without notice.
- Wisenet is the proprietary brand of Hanwha Techwin, formerly known as Samsung Techwin.

This parts should not contain any substances which are specified in AH60-0033K

NO	PART NAME	CODE NO.	MATERIAL	Q'TY	REMARK
1	ASSY-TNB-9000	070610	MATERIAL	1	REMARK



A3 CHANGE	UNIT	mm	DESIGN	CHECK	APPROVAL	PART NAME	ASSY-TNB-9000
	SCALE	1 / 1	M.Fujiwara	Check	Approval	MODEL NAME	TNB-9000
			19.12.18	19.12.18	19.12.18	CODE NO.	070610
	Hanwha Techwin						

070610